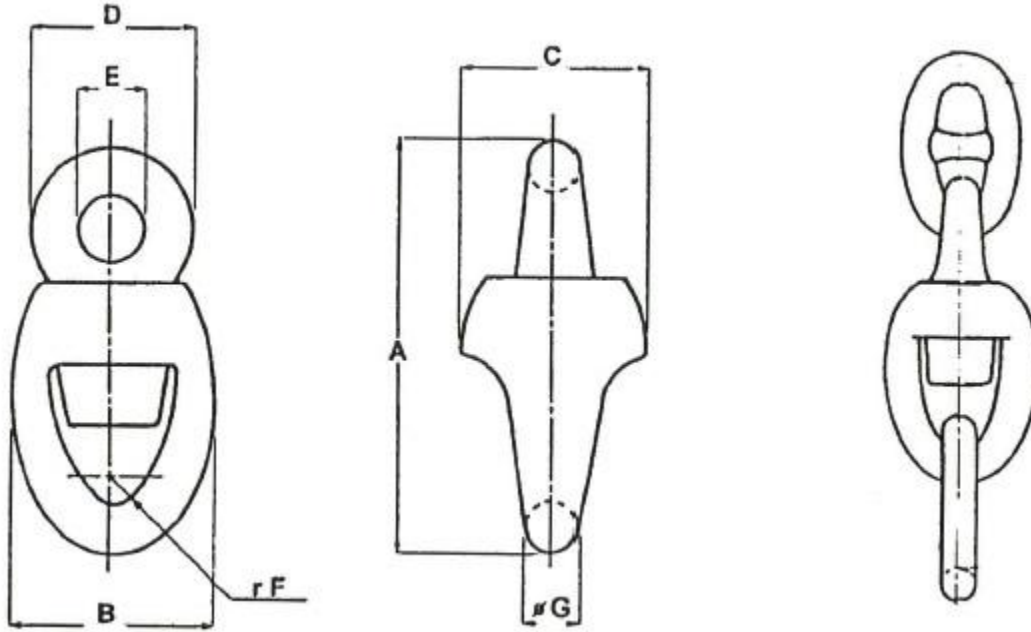


# Swivel Assembly

Also Called Forerunner



CHAIN SIZE		A mm	B mm	C mm	D mm	E mm	F mm	G mm	WEIGHT		PROOF TEST KGF	BREAK TEST KGF
mm	inches								kg	lbs		
13- 16	1/2-5/8	137	62	62	20	52	12	16	1.35	3	15100	21600
17- 19	11/16-3/4	173	76	76	27	66	19	19	225	5	21600	30900
21 - 22	13/16-7/8	198	90	90	30	75	22	22	320	7	29300	41700
24- 29	15/16- 1-1/8	258	102	102	44	94	25	25	6.5	14	49200	70400
30- 35	1-3/16-1-3/8	290	160	124	116	46	25	36	21.0	46.3	70700	101300
36 - 42	1-7/16- 1-5/8	373	202	146	145	63	32	46	39.5	87.1	102000	143400
43- 48	1-11/16-1-7/8	430	230	165	183	73	36	50	66.0	145.5	130000	185100
49-58	1-15/16-2-1/4	516	278	200	212	84	39	65	104.0	229.3	185400	265000
59- 67	2-5/16-2-5/8	575	307	230	235	93	46	68	142.0	313.1	242900	347000
68- 73	2-11/16-2-7/8	650	345	260	256	102	50	79	208.0	458.6	285000	407000
75- 79	2-15/16-3-1/8	757	370	325	281	109	62	94	276.0	608.5	332100	474500
81 - 86	3-3/16-3-3/8	760	420	272	310	122	57	95	336.0	740.8	384400	549100
87- 92	3-7/16-3/58	800	430	290	320	130	60	98	376.0	828.9	434800	621200
94 - 98	3-11/16-3-7/8	882	460	333	354	152	66	118	557.0	1228.0	490000	700000
100-102	3-15/16-4	918	480	348	368	148	69	122	612.0	1349.0	522100	746000
105-111	4-1/8-4-3/8	1000	530	378	400	160	74	133	797.0	1757.0	607000	867200
114	4-1/2	1026	542	390	417	165	76	137	871.0	1920.0	637300	910900