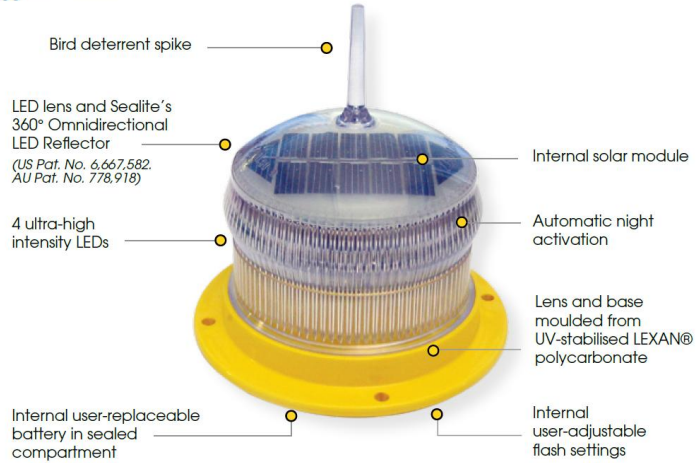


# SL15

## 1-2nm+ Solar Marine Light

*This equipment complies with requirements of the U.S. Coast Guard in 33 CFR part 66*



### The Sealite Advantage

- User-adjustable flash characters
- User-replaceable battery in sealed battery compartment
- NiMH battery for long service life & wide temperature range
- Completely sealed & self-contained using ultrasonic welding techniques
- Installs in minutes & operates maintenance-free for up to five years
- IP68 waterproof

The Sealite SL15 1-2nm+ compact LED light is exceptional value and incorporates some of the most advanced technology available. In the tradition of Sealite lanterns, the SL15 is designed to be maintenance-free and have a service life of over 5 years.

The SL15 can be installed in minutes, and requires no operator intervention. The flash characters are user-adjustable, and the unit is supplied ready for immediate installation.

During daylight hours the solar module will charge the battery, and the lantern will automatically begin operation at dusk – once the ambient light threshold drops sufficiently.

The SL15 features the Sealite LED 360° Omnidirectional Reflector, which increases the intensity and uniformity of the horizontal output. The tough polycarbonate lens is specifically designed for use with LEDs, and incorporates an environment-friendly spike – deterring unwelcome bird life.

The internally housed battery is user-replaceable after years of reliable service.

The unit is sealed using an advanced ultrasonic weld, enabling a rugged and completely waterproof seal capable of prolonged and deep immersion (IP68).

#### Optional ON/OFF Switch (SL15-SW)

The SL15 is also available with an optional ON/OFF switch for temporary installations such as worksites.



SL15 solar light on FAD, Australia

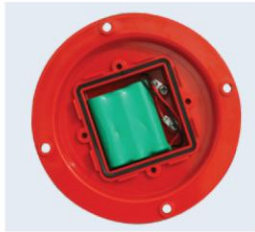


SL15 marina lights, Vigo, Spain (photos courtesy of Marina Sea Initiatives)



# SL15

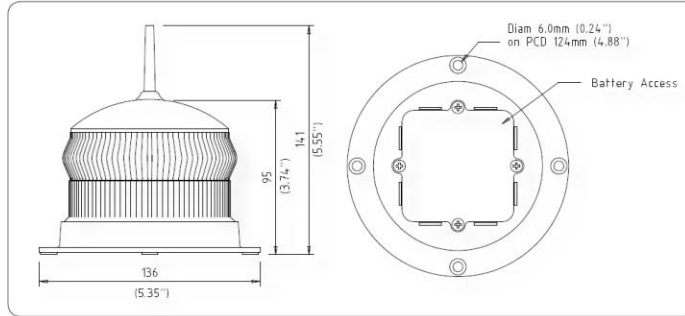
## 1-2nm+ Solar Marine Light



User replaceable battery



SL15 with optional ON/OFF switch (SL15-SW)



### User-Adjustable IALA Flash Characteristics

FLASH SETTING CODE	Flash Sequence (on, off, on...)
0	STEADY LIGHT (Intensity reduced)
1	0.5, 1.0
2	0.5, 3.5
3	1.0, 3.0
4	0.5, 5.5
5	0.3, 0.7
6	0.3, 0.7, 0.3, 0.7, 0.3, 0.7, 0.3, 15.7
7	0.3, 1.7
8	0.3, 2, 2
9	0.5, 2.0
A	0.3, 2.7
B	0.5, 2.5
C	0.7, 2.3
D	0.5, 4.5
E	Custom Setting

Other flash patterns are available on request



Flash characteristic is selected via internal rotary switch located in the battery compartment

### SPECIFICATIONS

#### Light Characteristics

Light Source: 4 ultra-high intensity LEDs  
 Available Colours: Red, Green, White, Yellow, Blue  
 Maximum Available Intensity (cd)<sup>Δ</sup>: Red - 6.2 Green - 7.6 White - 6.8 Yellow - 5.9  
 Visible Range (nm): 1-2+  
 Horizontal Output (degrees): 360  
 Vertical Divergence (degrees): 9  
 Reflector Type: Omnidirectional 360° LED Reflector (US Pat. No. 6,667,582. AU Pat. No. 778,918)

#### Available Flash Characteristics

Intensity Adjustments: 16 user-adjustable IALA flash characteristics (other flash patterns available on request)  
 LED Life Expectancy (hours): Automatically adjusted to suit flash characteristic selected >100,000

#### Electrical Characteristics

Current Draw (mA): Refer to Sealite Power Calculator  
 Circuit Protection: Integrated  
 Nominal Voltage (V): 3.6  
 Autonomy (days): >50 (14 hour darkness, 12.5% duty cycle)  
 Temperature Range: -40 to 80°C

#### Solar Characteristics

Solar Module Type: Multicrystalline  
 Output (watts): 0.45  
 Solar Module Efficiency (%): 14  
 Charging Regulation: Microprocessor controlled

#### Power Supply

Battery Type: High grade NiMH - Environment friendly  
 Battery Capacity (Ah): 1.6  
 Nominal Voltage (V): 3.6  
 Battery Service Life: Average 5 years

#### Physical Characteristics

Body Material: LEXAN® Polycarbonate - UV-stabilised  
 Lens Material: LEXAN® Polycarbonate - UV-stabilised  
 Lens Diameter (mm/inches): 107 / 4 1/4  
 Lens Design: External optics with interior flute design  
 Mounting: 4 x 6mm mounting holes  
 Height (mm/inches): 141 / 5 1/2  
 Width (mm/inches): 136 / 5 3/8  
 Mass (kg/lbs): 0.5 / 1 1/8  
 Product Life Expectancy: Up to 12 years

#### Certifications

CE: EN61000-6-3:1997, EN61000-6-1:1997  
 Quality Assurance: ISO9001:2000  
 Waterproof: IP68

#### Intellectual Property

Patents: US Pat. No. 6,667,582, AU Pat. No. 778,918  
 Trademarks: SEALITE® is a registered trademark of Sealite Pty Ltd

#### Warranty\*

Full 3 years

#### Options Available

- ON/OFF switch (SL15-SW)
- Custom flash patterns
- 50mm pole mount adaptor plate (MC/01)

CE

\* Specifications subject to change or variation without notice

\* Subject to standard terms and conditions

Δ Intensity setting subject to solar availability