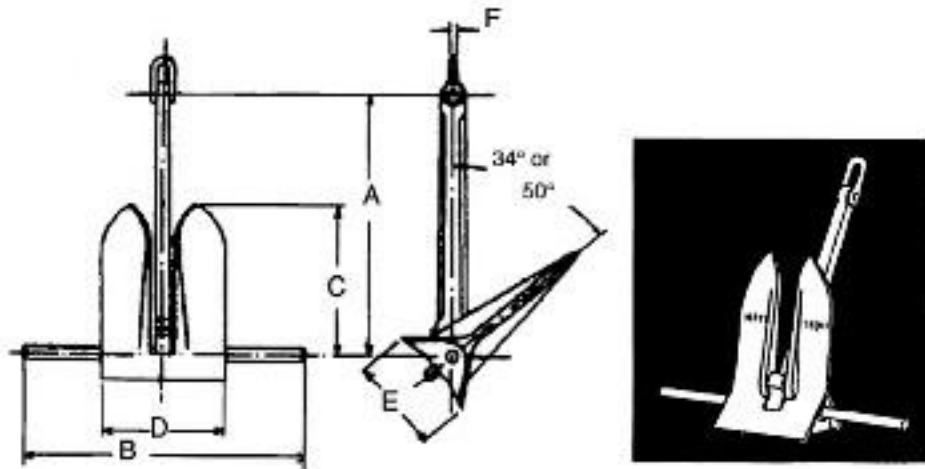


Moorfast Anchor



ANCHOR WEIGHT (LBS)	A	B	C	D	E	F	PROOF TEST (LBS)
1000	61	75	37	25	19	2	30000
3000	88	109	54	37	27	3	72500
6000	101	143	61	42	31	3 1/2	121300
8000	122	153	75	51	38	3 1/2	145000
10000	131	157	80	55	41	4	165600
12000	139	167	85	58	43	4	184700
14000	147	177	90	61	45	4	205000
16000	153	187	94	64	48	4 1/2	222700
20000	164	196	102	69	51	4 1/2	249400
30000	189	217	118	79	59	5	319400
40000	215	248	127	86	63	5 1/2	386000
50000	222	257	132	89	66	6	448300
60000	232	271	140	95	70	6	506200
70000	244	274	147	100	73	6	561400
80000	255	298	154	105	77	6 1/2	613300
90000	266	310	160	109	80	6 1/2	661200
100000	275	320	166	113	83	7	706400

*Specifications are in pounds and inches