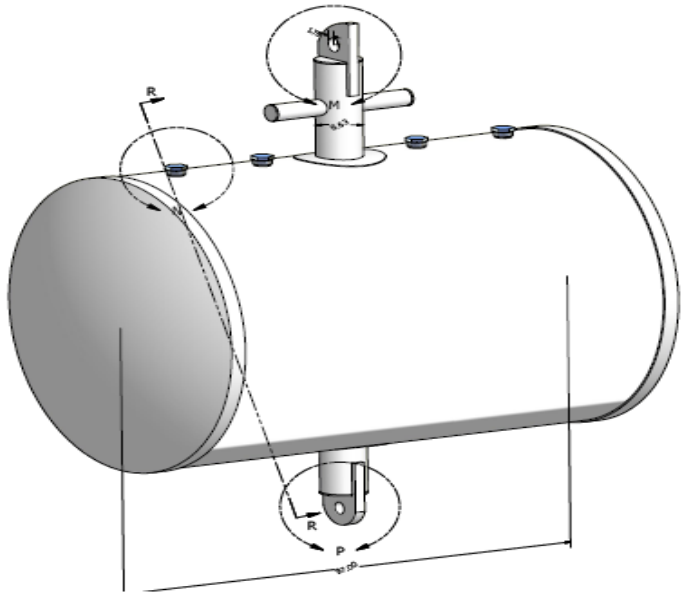


Cylindrical Buoys



| MOORING BUOY SPECIFICATIONS | | | | | |
|------------------------------|---------------------|-----------------------|--------------------------|--------------|--|
| Description | Volume (Cubit Feet) | Net Buoyancy (Pounds) | Shipping Weight (Pounds) | Compartments | Additional Buoyancy per foot of length |
| 5' x 8' x 1/4" Plate | 157 | 7,300 | 2,600 | two | 1,030 |
| 7' x 8' x 3/8" Plate | 308 | 13,600 | 5,600 | two | 2,000 |
| 7-1/2' x 9-1/2' x 3/8" Plate | 419 | 19,300 | 6,800 | two | 2,300 |
| 8' x 10' x 3/8" Plate | 502 | 22,800 | 8,500 | three | 2,600 |
| 10' x 12' x 3/8" Plate | 942 | 45,300 | 13,500 | three | 4,500 |
| 10' x 12' x 1/2" Plate | 942 | 42,000 | 16,800 | three | 4,100 |
| 10' x 16' x 3/8" Plate | 1,257 | 59,000 | 17,750 | three | 5,800 |
| 10' x 16' x 1/2" Plate | 1,257 | 56,000 | 20,750 | three | 5,500 |